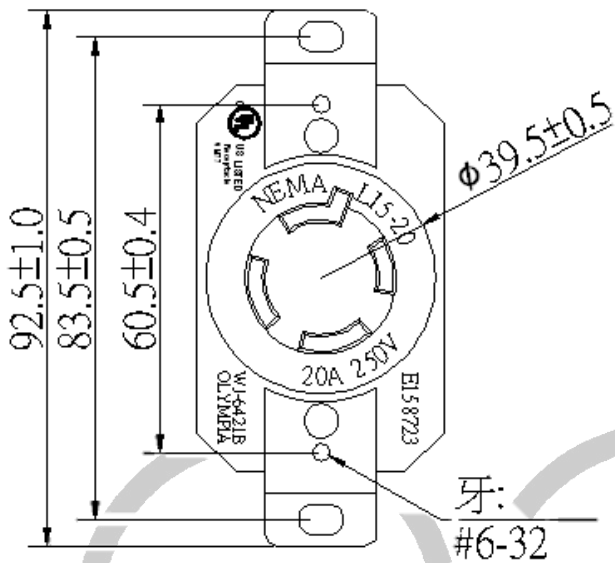


WJ-6421B



Product Specifications

Product Item	Single Receptacle Locking Type
Rating	3 Pole, 4 Wire Grounding 20A 250V AC
Configuration	NEMA L15-20
Color	Black
Contact Material	Brass
Terminal Screw Material	#10 Brass
Ground Screw Material	#10 Brass(Green)
Cover (Top) Material	P.B.T. (Poly Butylene Terephthalate) UL 94 V-0
Base Material	P.B.T. (Poly Butylene Terephthalate) UL 94 V-0
Standards and Certifications	UL/cUL Listed to UL498 File E158723
RoHS Compliant	Yes